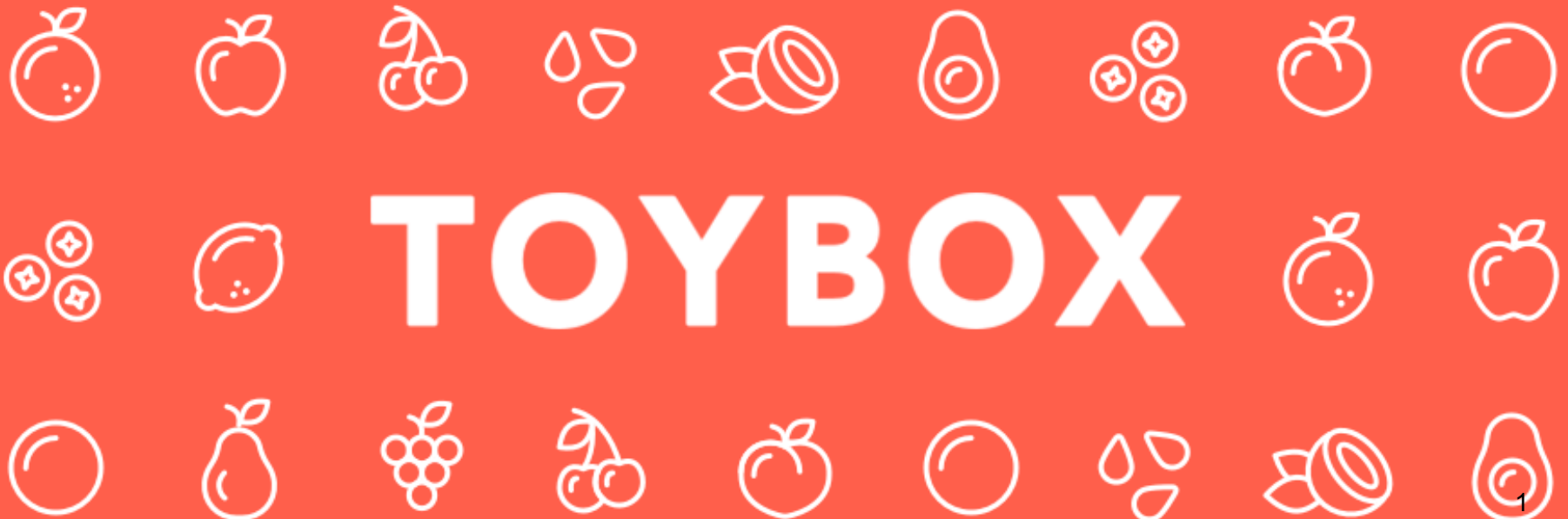


Toybox Labs 3D Printer User Manual

Welcome to your new Toybox Labs 3D Printer! This manual will guide you through the setup, operation, and maintenance of your 3D printer. Please read all instructions carefully to ensure safe and efficient operation.

Table of Contents

1. Safety Precautions
2. What's in the box
3. Quick Start Guide
4. FAQs
5. Contacting Support
6. Maintenance and Troubleshooting
7. Compliance

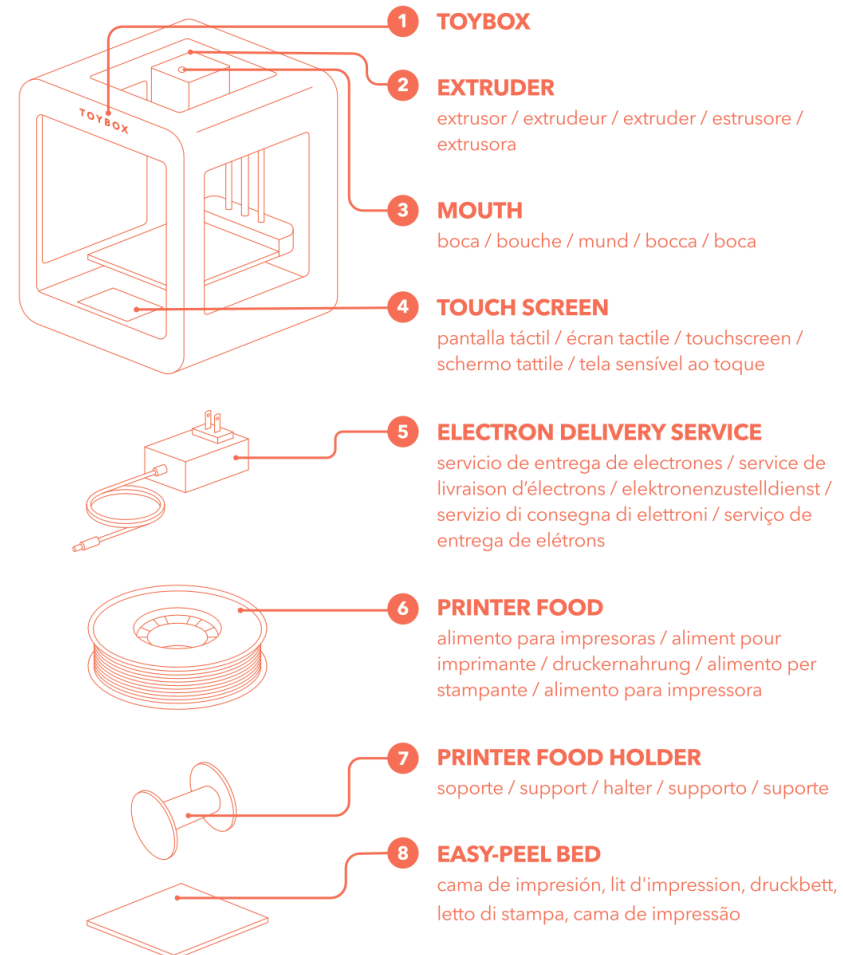


Safety Precautions

To avoid damaging your Toybox, accessories, or any connected devices, and to reduce the risk of personal injury, discomfort, property damage or other potential hazards, please follow the precautions below:

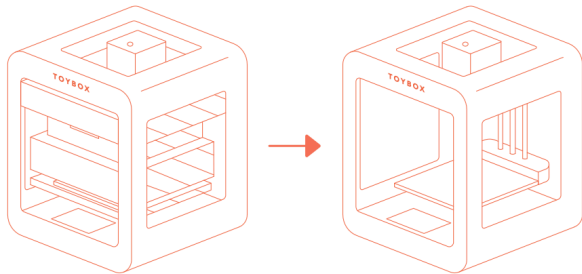
- Always use parental guidance. Adult supervision is required for children aged 12 and under.
- Do not alter or repair your Toybox unless recommended. Repairs and modifications should only be carried out by an adult.
- Do not touch your Toybox while it is printing.
- Do not touch the nozzle at the bottom of the extruder. It can be very hot, even when your Toybox is not operational.
- Allow printed toys to cool for 1 minute before touching or removing them.
- Do not try to remove any print residue by scraping with fingers or nails.
- Flex the bed to allow the residue to lift off.
- Small printed toys may be a choking hazard. Please keep them away from curious mouths.
- Keep your Toybox away from water.
- Periodically examine the adaptor for damage to the cord, housing, or other parts that may pose a risk of fire, electric shock, or injury. If the adaptor is damaged, suspend use of the printer and contact our support team.

what's in the box

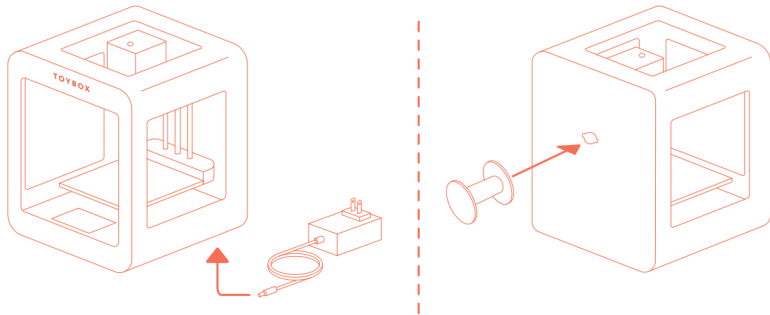


quick start guide

1



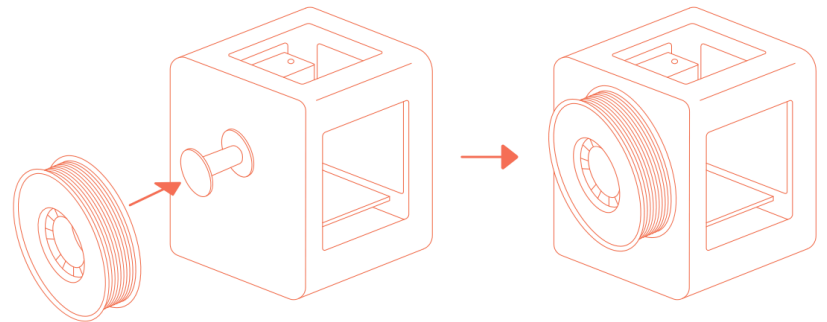
2

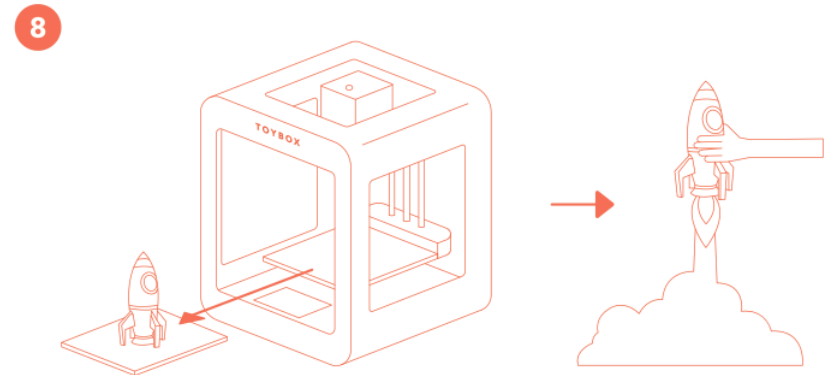
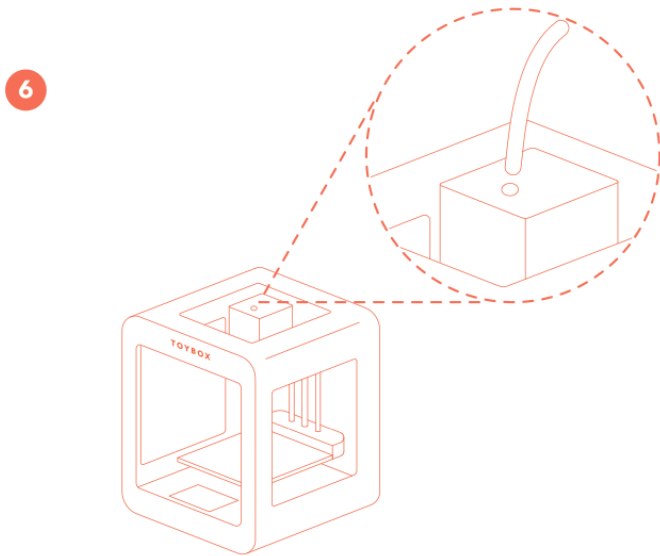
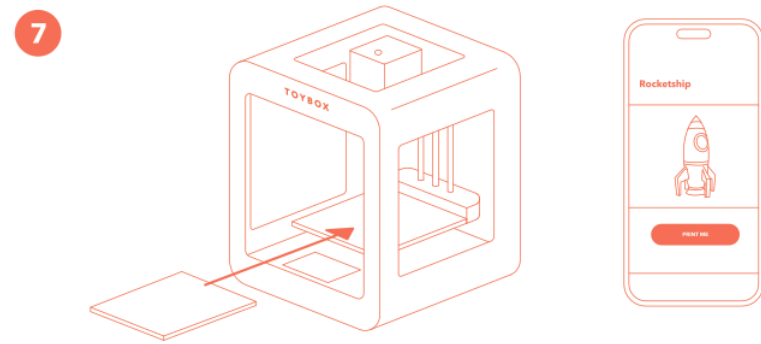
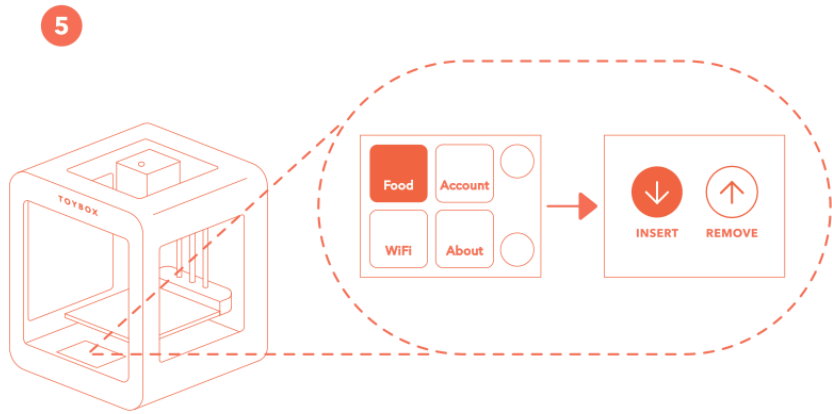


3



4





FAQs

For FAQ visit: <https://maketoys.zendesk.com/>

For helpful videos visit our Youtube Page at:

www.youtube.com/@toyboxlabs1268

For more information visit:

<https://maketoys.zendesk.com/hc/en-us>

Contacting Support

If you have any issues that are not resolved by this manual, please contact Toybox Labs customer support via email at

support@toybox.com. Make sure to have your printer's serial number (found on the bottom of your Toybox Printer) when contacting support. For more help and tips, please visit toybox.com/help.

Maintenance and Troubleshooting

- **Regular Maintenance:** Clean the print bed regularly and check for debris. Perform a light dusting of the printer components as needed. Use a clean cloth and isopropyl alcohol to gently clean the print bed. Avoid using harsh chemicals or abrasives that might damage the surface.
- **Print Bed Leveling:** If prints are not adhering or are warping, check and adjust the print bed leveling.

Printer food is best stored in a cool, dry place out of the sun. If you live somewhere with high humidity or are looking for good storage methods, here are a few popular ones:

1. Simple ziplock bags closed tight.

2. Vacuum seal bags

3. Storage boxes with sealed lids

BROUGHT TO YOU BY

TOYBOX LABS INC.

www.toybox.com

66 FRANKLIN ST SUITE 300 OAKLAND, CA 94607

MÖSLBICHL 78, 6250 KUNDL, AUSTRIA

DESIGNED IN CALIFORNIA, USA

MANUFACTURED BY TOYBOX LABS INC.

MADE IN CHINA

We hope you enjoy your new Toybox Labs 3D Printer.

Happy printing!

Specifications

Supported OS's: iOS, Android or any web browser

Print Volume: 7 x 8 x 9 cm

Print Speed: 60 mm/s

Print Resolution: 200 microns

Extruder: 4mm Smooth-Flow Extruder Head

Print Bed: Easy-Peel Bed

Compatible Systems: STL OBJ gCode

LCD Screen: Touch Screen

Dimensions: 7.4" x 7.4" x 9.05"

Weight: 5 lb 5.8oz

Print Materials: PLA non-toxic plastic

Communication Protocol: Wi-Fi (2.4Hz b/g/n); 2.4GHz proprietary

PSU Model:

- EU: DZ048BHL240200V
- UK: DZ048BHL240200B

ELECTRICAL RATING:

- INPUT: 100-240V~50/60Hz 1.5A
- OUTPUT: 24.0V=2.0A 48.0W

Product Name: Toybox 3D printer

Model name: Alpha 2

AGE RATING: 14+

Compliance

FCC ID: 2BGPC-ALPHA2

FCC Statement:

This device complies with part 15 of the FCC Rules. Operation is subject to the following two conditions: (1) This device may not cause harmful interference, and (2) this device must accept any interference received, including interference that may cause undesired operation. This equipment should be installed and operated with minimum distance of 20 cm between the radiator and your body

NOTE: This equipment has been tested and found to comply with the limits for a Class B digital device, pursuant to part 15 of the FCC Rules. These limits are designed to provide reasonable protection against harmful interference in a residential installation. This equipment generates, uses and can radiate radio frequency energy and, if not installed and used in accordance with the instructions, may cause harmful interference to radio communications. However, there is no guarantee that interference will not occur in a particular installation. If this equipment does cause harmful interference to radio or television reception, which can be determined by turning the equipment off and on, the user is encouraged to try to correct the interference by one or more of the following measures:

- Reorient or relocate the receiving antenna.
- Increase the separation between the equipment and receiver.
- Connect the equipment into an outlet on a circuit different from that to which the receiver is connected.

-Consult the dealer or an experienced radio/TV technician for help.

MODIFICATION: Any changes or modifications not expressly approved by the grantee of this device could void the user's authority to operate the device.

Warning Statements

Warning: If the external wiring of the product is damaged, the entire product should not be used.

Warning: The product must be installed for indoor use, and the ambient temperature of the use is 0-40 degrees Celsius, in a dry environment.

Warning: Must be used in dry areas only; if wet, do not use.

Warning: Not suitable for children under 3 years.

Warning: The Toybox must be used with the power supply of model Alpha 2 provided by the company or the set. It is not allowed to use the power supply of other models or brands. The power supply is not a toy and must be installed and removed by an adult.

Warning: If the toy needs to be cleaned, the power supply should be disconnected in advance.

Warning: The materials used in this product are not harmful to children. However, please pay attention to the risk of choking when children swallow items smaller than 32mm printed by printer.

 CAUTION - Moving parts. Keep body parts away from moving parts.

 CAUTION - Hot parts. Do not touch.

WARNING-SHARP EDGES

Watch your fingers. Be careful when handling unit to avoid sharp edges which may result in personal injury.

CAUTION-ELECTRICALLY OPERATED PRODUCT

Not recommended for children under 8 years of age. Parental supervision advised. As with all electric products, precautions should be observed during handling and use to prevent electric shock.



DISPOSAL OF YOUR OLD PRODUCT Your product is designed and manufactured with high-quality materials and components, which can be recycled and reused. When this crossed-out wheellie bin symbol is attached to a product, it means that the product is covered by European Directive 2012/19/EU. Please find out about your local collection system for electrical and electronic products. Please act according to your local rules and do not dispose of your old products with your normal household waste. The correct disposal of your old product will help to prevent potential negative consequences for the environment and human health.